

# Flexible Production External Grinding Machine T35

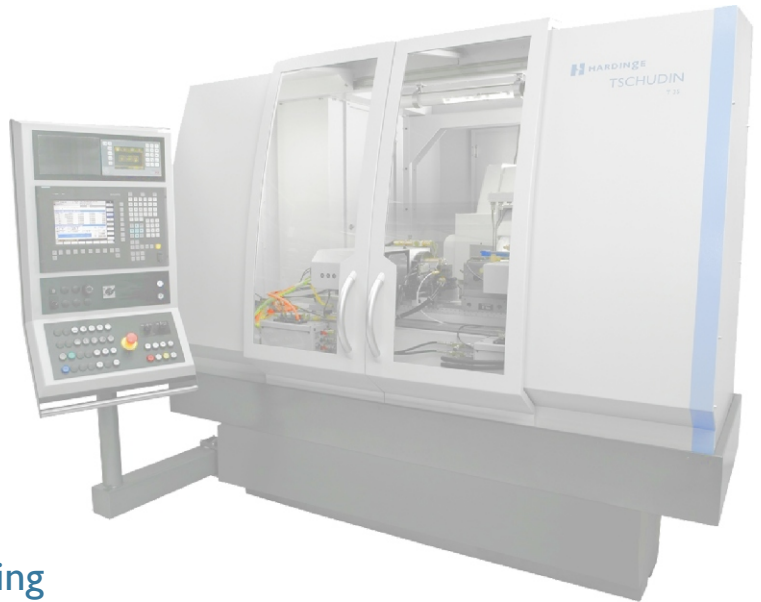
## Grinding of control edges

High precision control edges; burr free and sharp edges can be ground and match ground in one single clamping.

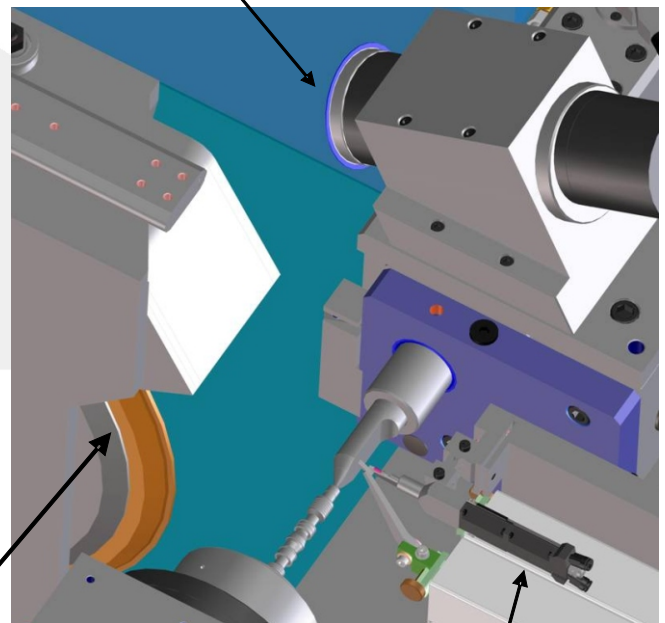
The high precision of the length gauging heads, control edges can be ground within a tolerance of 1 micron

Thanks to a perfect process engineering and to the CNC axis for the gauging heads, switch over between batches can be achieved extremely rapidly.

Automatic loading and un loading possible.

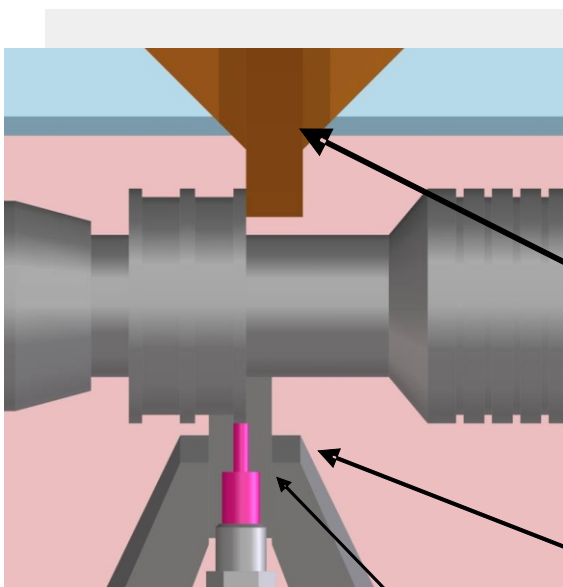


Rotary dressing unit



Vitrified CBN wheel dressed by CNC interpolation

Abrasive rotary de-burrer



Retractable feelers

Abrasive rotary de-burrer

HTT Hauser Tripet Tschudin Ltd.  
Längfeldweg 107  
CH- 2500 Biel- Bienne 8  
Phone +41(0)32 344 11 52  
Fax +41(0)32 341 13 93  
www.htt.ch  
info@htt.ch

**HARDINGE**  
EXPECT MORE

HAUSER TRIPET TSCHUDIN